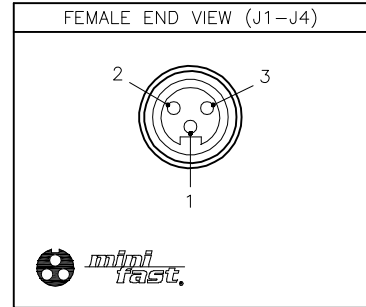
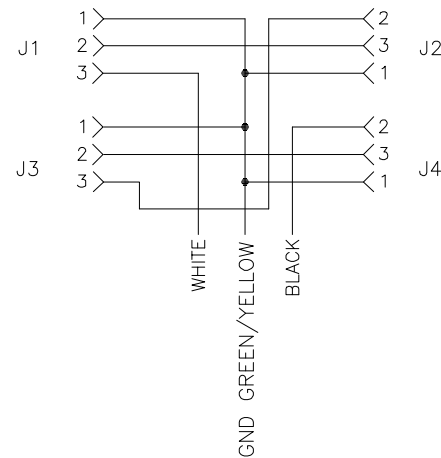


SPECIFICATIONS	
CABLE JACKET MATERIAL/COLOR	PVC/YELLOW
NUMBER OF CONDUCTORS [AWG]	3x16 AWG
HOUSING MATERIAL	ALUMINUM ALLOY
HOUSING FINISH/COLOR	EPOXY/BLACK
CONTACT CARRIER MATERIAL	TPU
CONTACT MATERIAL/PLATING	BRASS/GOLD
RECEPTACLE MATERIAL/PLATING	BRASS/NICKEL
OPERATING VOLTAGE	250 VAC/300 VDC
OPERATING CURRENT	4.0 AMPS/PORT, 4 AMPS TOTAL
PROTECTION CLASS	MEETS NEMA 1,3,4,6P,12 AND IEC IP67, IP68,IP69,IP69K
OPERATING TEMPERATURE	-40°C to +80°C (-40°F to +176°F)



FUNCTION	OUTPUT WIRE COLOR
COMMON (L1)	WHITE
GROUND	GREEN/YELLOW
LOAD(L2)	BLACK

CABLE LENGTH	TOLERANCE*
ALL LENGTHS	+ 4% (OR 50mm) OF LENGTH - 0% (OR 0mm) OF LENGTH WHICHEVER IS GREATER
STRIP LENGTH	TOLERANCE*
0-7mm	±0.5mm
8-29mm	±1.0mm
30-49mm	±2.0mm
50-69mm	±3.0mm
70-100mm	±4.0mm
OVER 100mm	±5.0mm

* UNLESS OTHERWISE SPECIFIED

SOURCE DRAWING - FOR REFERENCE ONLY

- NOTES:
- "*" DESIGNATES CABLE LENGTH IN METERS. CONTACT TURCK TO ORDER SPECIFIC LENGTHS
 - BOX HEIGHT IS 34.5 [1.36] NOMINAL.
 - CLEARANCE HOLE FOR 1/4-20 MOUNTING SCREWS (NOT INCLUDED).

RELATED DOCUMENTS		3RD ANGLE PROJECTION		THIS DRAWING IS CONFIDENTIAL AND THE PROPERTY OF TURCK INC. USE OF THIS DOCUMENT WITHOUT WRITTEN PERMISSION IS PROHIBITED.		3000 CAMPUS DRIVE MINNEAPOLIS, MN 55441 1-800-544-7769 (763) 553-7300 (763) 553-0708 fax www.turck.us	
1. 2. 3. 4.				DRFT RJP DATE 12/17/96		DESCRIPTION 4 RKF 301-*M	
MATERIAL SEE SPECIFICATIONS		ALL DIMENSIONS DISPLAYED ON THIS DRAWING ARE FOR REFERENCE ONLY		APVD		SCALE 1=1.5	
FINISH SEE SPECIFICATIONS		CONTACT TURCK FOR MORE INFORMATION		UNIT OF MEASUREMENT MILLIMETER [INCH]		IDENTIFICATION NO.	
G UPDATED PROTECTION CLASS		ER 04/22/21		76668		REV G	
REV DESCRIPTION		BY DATE		ECO NO.		DO NOT SCALE THIS DRAWING	
						FILE: 777001281	
						SHEET 1 OF 1	